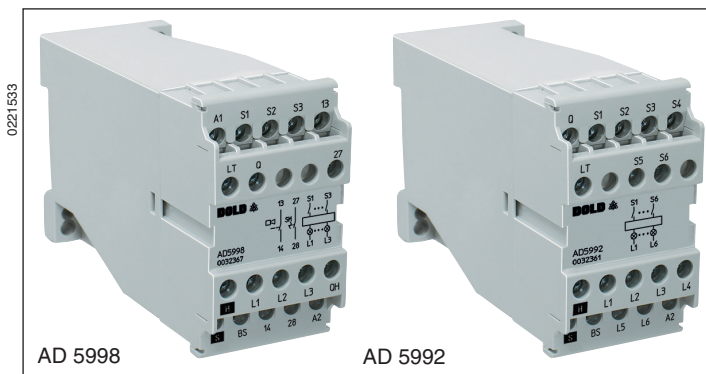


Monitoring Technique

INFOMASTER
Fault Annunciator System
AD 5998, AD 5992

Translation
of the original instructions



- New fault annunciation according to DIN 19235
- Expandable from 3 up to 303 inputs
- Width 45 mm

Fault annunciator AD 5998:

- 3 inputs
- Pushbutton connection possible for light signal acknowledgement, horn acknowledgement and lamp test
- 1 relay for common alarm and 1 for horn

Extension unit AD 5992:

- 6 inputs

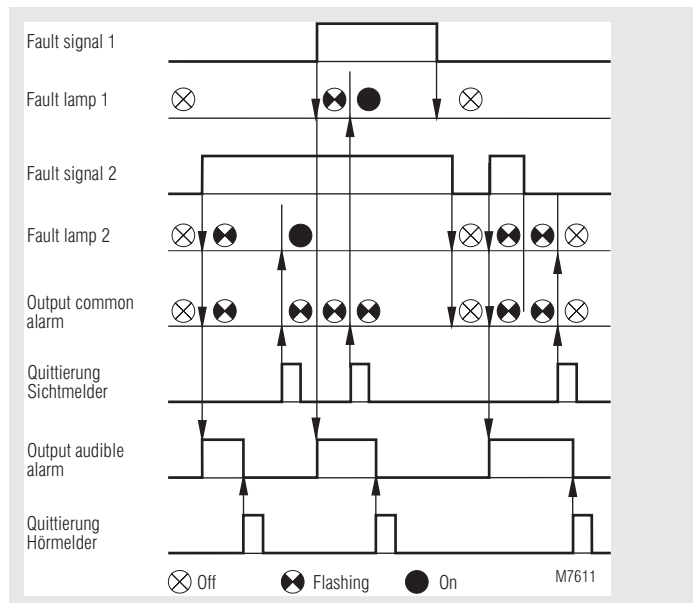
Product Discription

The AD 5998 control unit and the AD 5992 expansion unit form an expandable fault indication system for displaying fault messages.

Approvals and Markings



Function Diagram



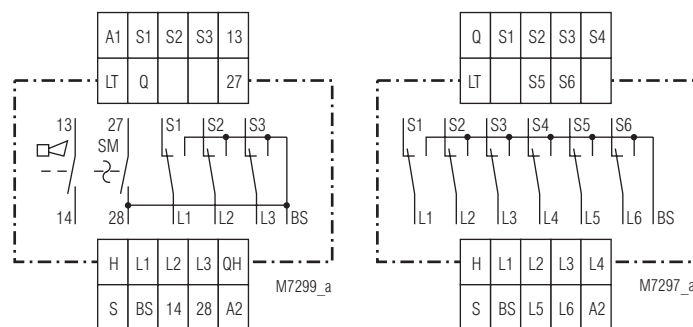
Applications

Monitoring of industrial plants and buildings

Connection Terminals

Terminal designation	Signal description
A1	+ / L
A2	- / N
S1, S2, S3, S4, S5, S6	Measuring inputs for fault signals
L1, L2, L3, L4, L5, L6	Fault signals outputs
QH	Control input for horn acknowledgement
Q	Control input for light signal acknowledgement
LT	Control input for lamp test
13, 14	Relay output for horn
27, 28	Relay output for common alarm
H	Bus wire horn
S	Bus wire for common alarm
BS	Flash impulse

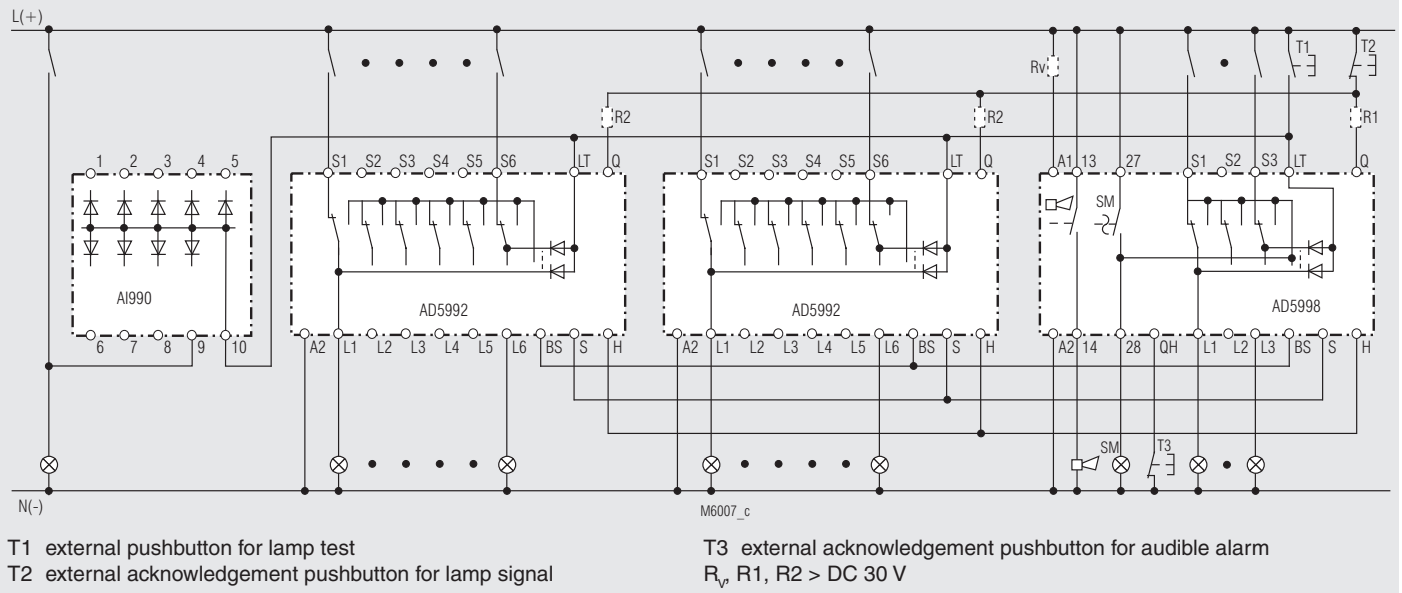
Circuit Diagrams



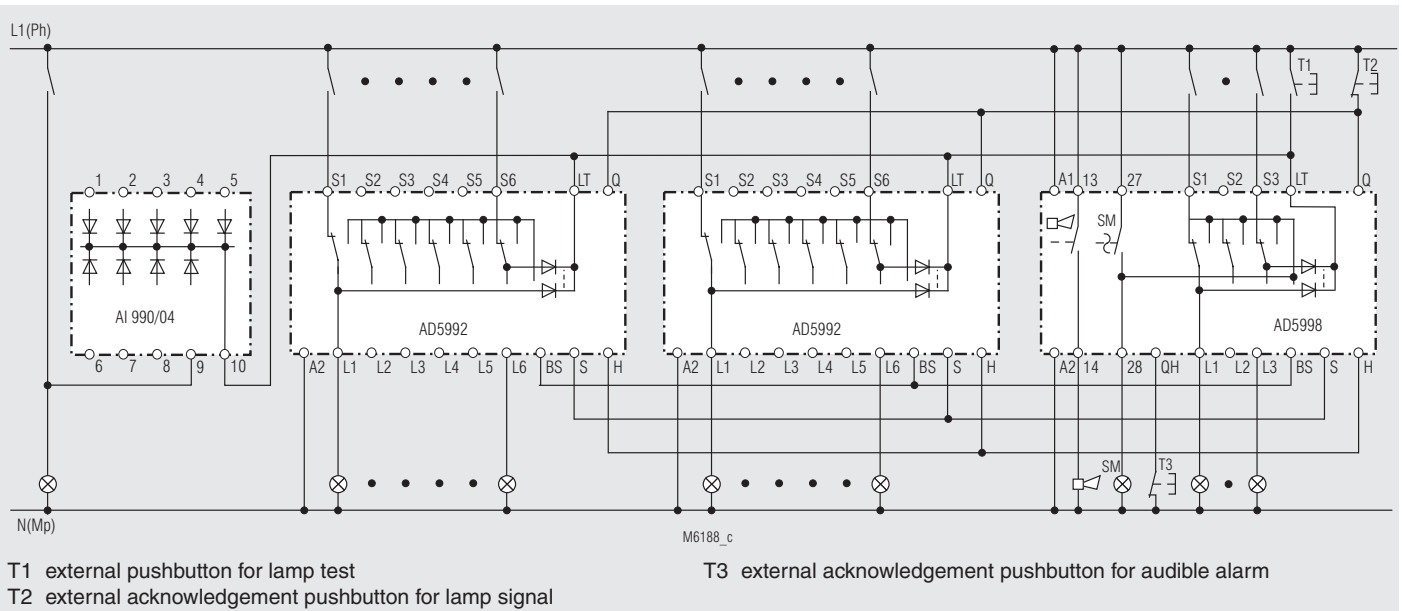
AD 5998

AD 5992

Connection Examples



Connection diagram AD 5998 - AD 5992 for operation at DC-voltage with additional lamp tester AI 990 or AI 990.10
 Lamp tester AI 990 is only required if additional lamps in the system need to be tested.



Connection diagram AD 5998 - AD 5992 for operation at AC-voltage with additional lamp tester AI 990.04 or AI 990.12
 Lamp tester AI 990 is only required if additional lamps in the system need to be tested.

