



6.2 mm enclosure

KS 4460

Best
performance
... smallest space.

DOLD 

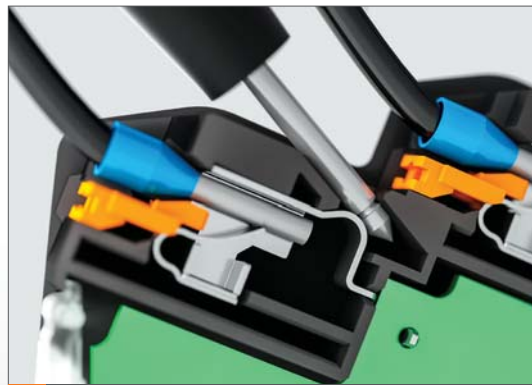
Our experience. Your safety.

Super compact – variable connection technology!

KS 4460: Modern electronics require innovative enclosure solutions. We have them:

Our KS 4460 not only allows for a variety of applications – it is also very impressive: from the functional design to the manufacturing quality all the way to the application. The consistent modular 6.2 mm enclosure system makes it possible for the developer to arrange modules at his own discretion in connection with the mounting rail bus. With this enclosure, we offer you an individually customised solution – for more possibilities.

Ask us, challenge us!



Fast diagnostics

The integrated test point allows for fast, simple diagnostics directly on site



Convenient direct connection

Quickly detach the cable with a simple tool using a high visibility release button



Wiring completed without any tools

Wiring is simple and requires no tools, using push-in connection technology (spring force) to minimize installation work



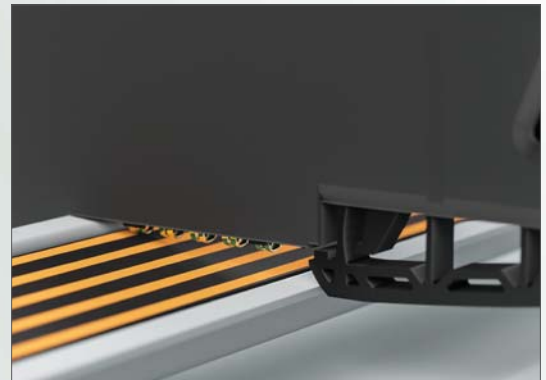
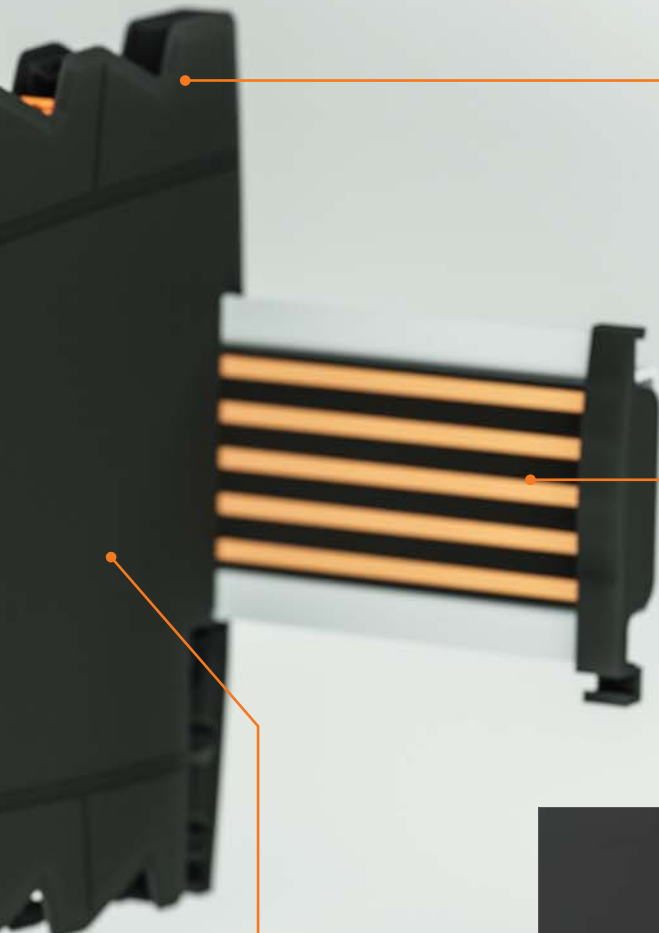
Improved user ergonomics

The test probe (\varnothing 2 mm) clicks into place, providing the inspector with additional space to work



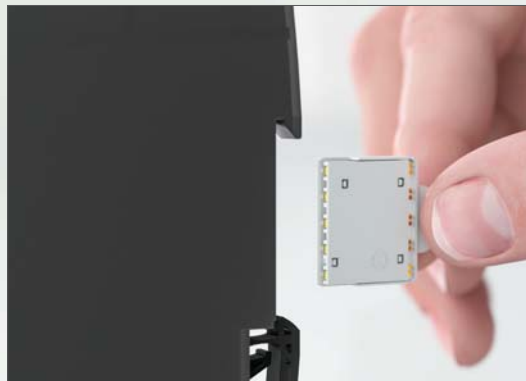
Custom label areas

The housing offers a large number of printing options



Time-saving installation

The optional mounting rail bus facilitates installation without wiring work and without interruptions



Plug-in contact spring block

Simple and secure installation with plug-in technology also allows for subsequent or alternative in-rail-bus connections

6.2 mm width – highest functionality!



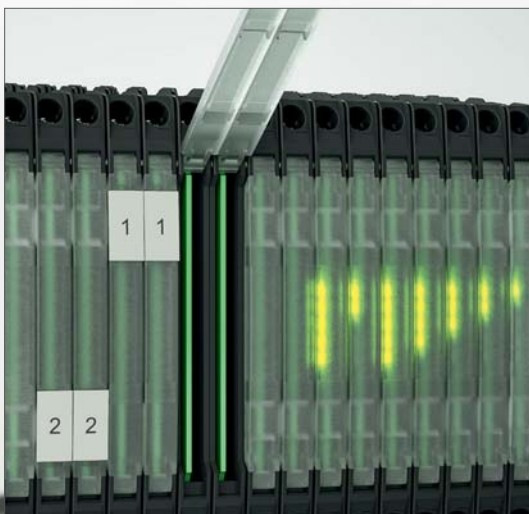
Various marking possibilities

The enclosure offers plenty of space for individual and abrasion-resistant laser markings of your choice



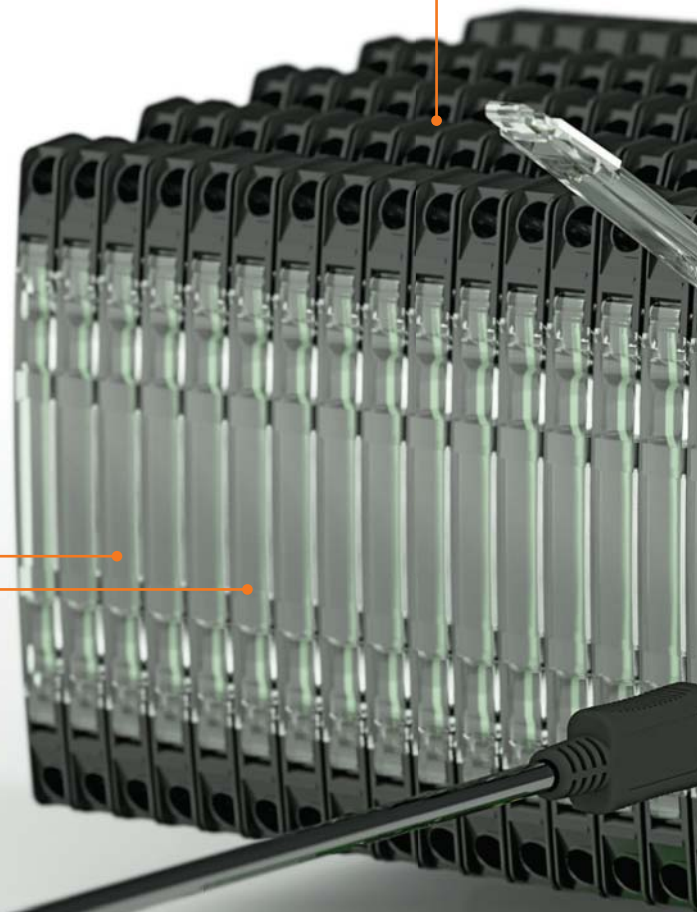
Easier access – easier measurement

All connections can be accessed directly. That makes it possible to measure current during running operation. In this way, access for testing is possible at any time



All functions at a glance

Immediate diagnosis for each individual unit – simply by means of the status LEDs on the front side



High level of contact reliability

The machine-solderable contact spring block with gold-plated double spring contacts offers the highest level of contact reliability for the mounting bus system



Connection according to requirement

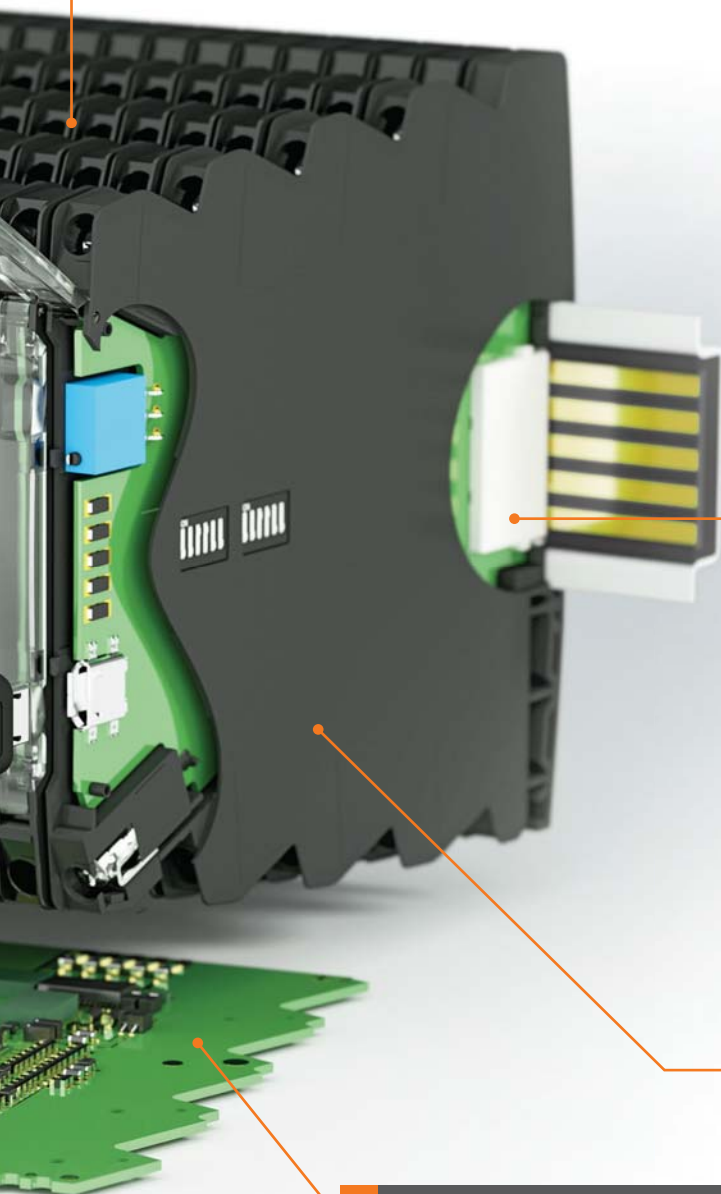
Standardly equipped with screw terminals, optionally with spring terminals

Customer benefits:

- ▶ Various installation positions of the PCBs are possible
- ▶ Components up to 5.1 mm in height can be used
- ▶ Quick assembly of the enclosure parts which can be locked in place
- ▶ Space savings using an installation width of 6.2 mm
- ▶ More room for play with regard to design, 4850 mm² circuit board surface area

Highlights:

- ▶ Cutouts for components, display or control elements are possible on the side or the front
- ▶ Hinged front plate also available with snap in marking plate
- ▶ 8 screw connections, optionally with spring connections
- ▶ With mounting rail bus (In-Rail-Bus) – optional
- ▶ Various enclosure colours
- ▶ UL approval



Quick installation

The mounting bus system simply locks in place – and device communication takes place immediately (performance / data / signals)



More room for components

By means of special notches, we have maximised the installation height for components to 5.1 mm

Material saved – costs reduced

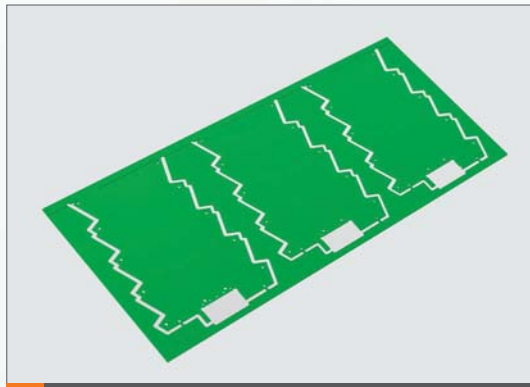
PCB contour makes it possible to design in a cost-efficient manner

KS 4460 – Highlights at a glance!



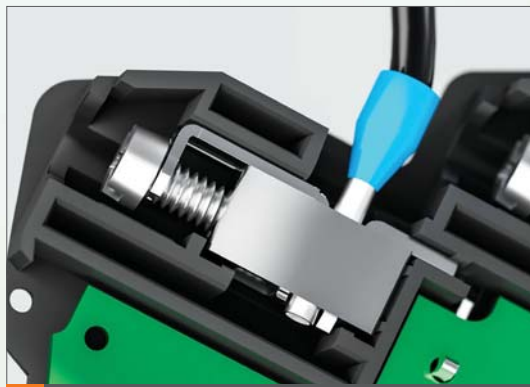
Less installation work

Housing elements click into place on the finished assembly without tools



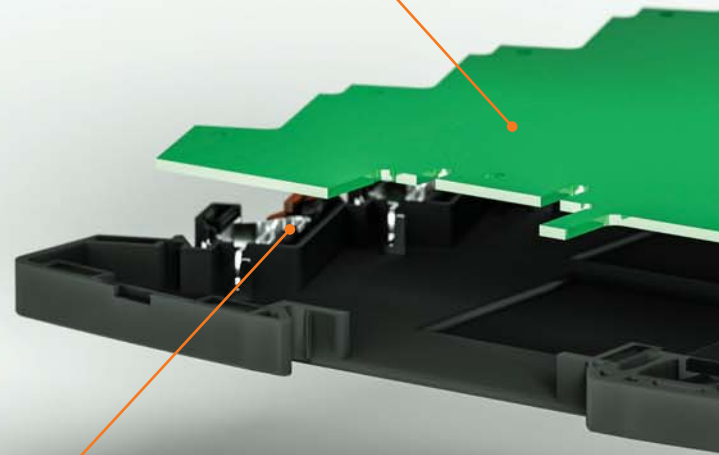
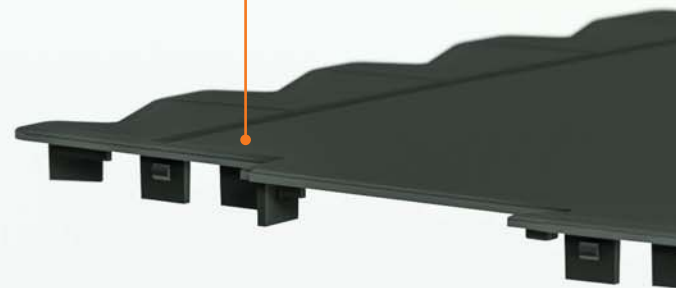
Maximum economic efficiency

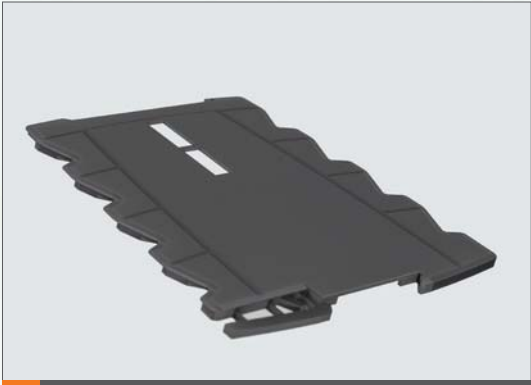
The circuit board is customized for current applications, and offers 4850 mm² of usable circuit board space for design in processes



Integrated screw terminals

Screw connection technology for cables up to 2.5 mm²





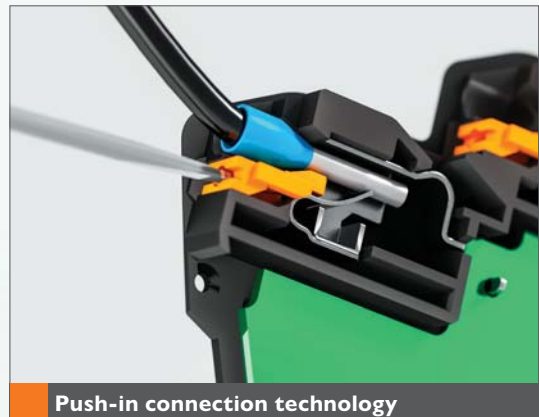
Optimal design freedom

Any desired openings (DIP switch, etc.) according to customer requests



Variable front surface

Custom printing on front surface possible, with either label plate or fiber optics. Front plate with swiveling cover, also available in different colors



Push-in connection technology

Spring-loaded terminal with push-in connection technology for cables up to 2.5 mm² and integrated test point

DOLD – solutions for your electronics. Just as individual as your application.

It all depends on the right enclosure!

Electronic enclosures not only serve to package your electronics, they also offer much more. Modern tool concepts make off-the-shelf solutions a thing of the past. Due to high flexibility in design, colour and function, our enclosure systems can be easily adapted to your requirements and application.

We see ourselves as project partners and support you with the design-in process. You can fully concentrate your valuable resources on electronics development. You can rely on our competence based on decades of experience.

We would be pleased to inform you about further product solutions from our company.



Switch cabinet enclosures

With various modular enclosure series in common widths, assembly-friendly electronic modules are created from assembled printed circuit boards. This means that the right enclosure solution is always available for future-oriented automation devices. Benefit from enclosure systems with graduated sizes, variable connection technology and optional DIN rail bus system.



Distribution enclosures

The distribution enclosures meet all requirements in the field of modern building automation. They cover all common construction widths and installation depths and offer plenty of space for your electronics. With a large variety of variants, your individual tasks can be easily solved.



Safety relays

As the competence leader for safety relays with forcibly guided contacts, PCB and miniature relays, we offer technically and high-quality solutions for the safe switching of electrical currents with minimum dimensions.



DOLD 

E. Dold & Söhne GmbH & Co. KG
Bregstraße 18 • D-78120 Furtwangen
T +49 7723 654-0 • F +49 7723 654-356
dold-relays@dold.com • www.dold.com