

VARIMETER

Level Sensing Relay

IL 9151, SL 9151, MK 9151N

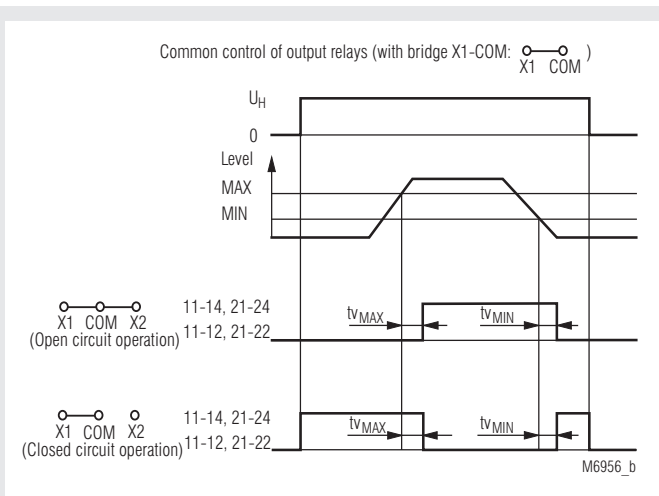
Translation
of the original instructions



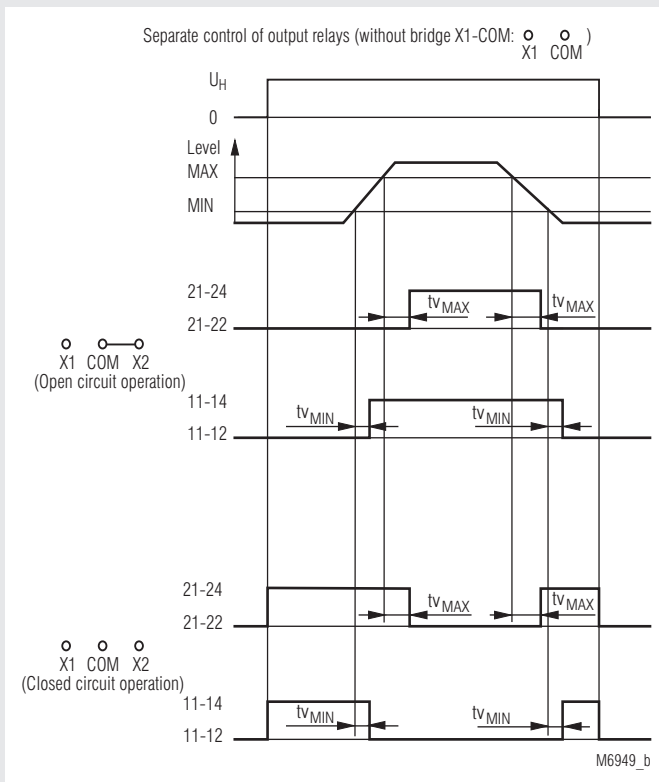
0225286

- According to IEC/EN 60255-1
- 3 probe connections for 2-point and 1-point level control
- Also for use as moisture detector
- High interference resistance of the Measuring Circuit, which is isolated from the mains
- Max. wire length to the probes: 3000 m
- Large setting range: 2 ... 450 kΩ
this permits differentiation between fluid and foam
- Separately adjustable response and release time delay 0.2 ... 20 s for MIN- and MAX-level
- Programmable for:
 - 2 separate controllable output relays for MIN and MAX level
 - Common controlled output relays for 2-point hysteresis level control
 - Open circuit operation
 - Closed circuit operation
- Measuring Circuit for probes works with internally generated AC voltage (approx. 30 Hz), electrolytic behaviour does not occur in the liquid
- For auxiliary voltages of 24 ... 415 V AC or 24 V DC
- LEDs for operation and state of contact
- 2 changeover relays with 1 changeover contact each
- IL 9151 and SL 9151 with safe separation according to IEC/EN 61140, IEC/EN 60947-1
- Devices available in 3 enclosure versions:
 - IL 9151: Depth 59 mm, with terminals at the bottom for installation systems and industrial distribution systems according to DIN 43880
 - SL 9151, MK 9151N: Depth 98 mm, with terminals at the top for cabinets with mounting plate and cable duct
- IL / SL 9151: 35 mm width
- MK 9151N: 22.5 mm width

Function Diagrams

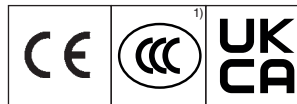


Common control of output relays



Separate control of output relay

Approvals and Markings

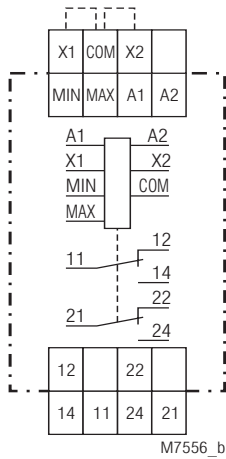


¹⁾ Only IL 9151, MK 9151N

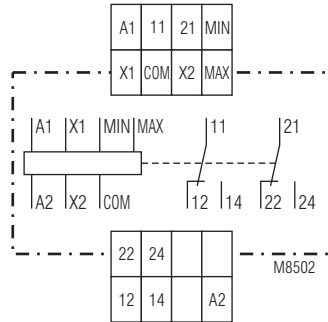
Application

- Level monitoring and control for conductive liquids and powders, e.g. maximum and minimum filling levels, overfilling and protection against dry running
- Monitoring and control of the mixing ratio of conductive liquids
- General resistance monitoring tasks, e.g. limit temperature detection with PTC
- Contact protection relay with time delay

Circuit Diagrams



IL 9151.12, SL 9151.12



MK 9151N.12

Notes

1-point level control

1-point level control (see Figure) is especially suitable for protection against overfilling and dry running on containers with a free inlet/outlet. In this configuration, all that is required besides the reference probe "COM" is the "MAX", which must be located at the desired limit level. The output relay switches over after the set delay time if the fluid level exceeds or falls below the limit level, which permits fluid to be pumped out or added.

Without bridge X1 - COM only relay "MAX" (contacts 21-22-24) switch, with bridge X1 - COM both relays switch together. If for each output relay a separate time delay is necessary, the unit has to be set to separate control of the outputs and the "MIN" and "MAX" inputs are connected to the same probe. Please note that the resistance of the liquid is divided up on both input circuits. Therefore the response value must be set to the double value.

If separate output control is selected with 1-point control for each output relay the time delay can be set separately.

Because of the settable time delay of 0.2 to 20 sec for each probe circuit, it is possible to suppress early switching caused by waves on the liquid. Also time depending level control can be realised. The delay works integrating and is active when the liquid goes over as well as under the probe level.

The wide setting range allows easily an optimum setting so that the unit can differentiate between foam and liquid. The response value must be set to a value high enough, that the unit reacts when the liquid, but not when the foam reaches the probe (for setting procedure the time delay is set to min. value).

Connection Terminals

Terminal designation	Signal description
A1, A2	Auxiliary voltage AC oder DC
MIN, MAX, COM	Electrode connection
X1 - COM	Selection operating mode via bridge
X2 - COM	Selection de-energized or energized via bridge
11, 12, 14	Contacts Rel. 1
21, 22, 24	Contacts Rel. 2

Indicators

IL / SL 9151

Green LED: On, when auxiliary supply connected
 Yellow LED: On, when relay MIN active
 Red LED: On, when relay MAX active

MK 9151N

Green LED: On, when auxiliary supply connected
 Yellow LED "MIN": On, when relay MIN active
 Red LED "MAX": On, when relay MAX active

Notes

All commercially available probes are suitable.

The reference probe for level measurement is generally located at the lowest point of the container and must always be connected to the "COM" terminal. The container itself can be used as a reference probe if it consists of conductive material.

On the level "MIN" and "MAX" the other probes are installed and connected to the corresponding inputs of IL 9151. It is also possible to connect only one probe.

2-point level control

The 2-point control is selected when a liquid should be kept between "MIN" and "MAX" level. 2 operation modes can be selected:

Without bridge X1 - COM: Separate control of output relays for "MIN" and "MAX" level
 With bridge X1 - COM: Common control of both output relays

When the relays are separately controlled each output relay is operated by the corresponding probe circuit. For each level the time delay can be set separately ($t_{v_{MIN}}$ and $t_{v_{MAX}}$).

When the relays are controlled together, these work like a relay with 2 changeover contacts as follows:

If the liquid rises above the "MAX" level the output relays switch over after the delay time of $t_{v_{MAX}}$ and start e.g. a pump to sink the liquid. If the level goes under the "MAX" level the output relays remain activated until the "MIN" level is reached. Now the output relays switch back after the time delay of $t_{v_{MIN}}$ and stop the pump. The whole process starts again when the level reaches the "MAX" probe.

Technical Data

Input

Setting range of the fluid resistance:	2 ... 450 kΩ (response value)
Setting:	On logarithmically divided absolute scale
Switching point hysteresis:	Approx. 4 % (at 450 kΩ) ... 15 % (at 2 kΩ) of the set value

Voltage and temperature influence: < 2 % of the set value

Max. cable length to the probes:	Set value	Cable length (at 100 nF/km)
	450 kΩ	50 m
	100 kΩ	200 m
	35 kΩ	500 m
	10 kΩ	1500 m
	5 kΩ	3000 m

Max. sensing voltage: Approx. AC 10 V
(internally generated)

Max. sensing current: Approx. AC 1.5 mA
(internally generated)

Response and release times
 $t_{v_{MIN}}$, $t_{v_{MAX}}$: 0.2 ... 20 s for both output relays
separate settable
Setting on logarithmically-divided
absolute scale

Auxiliary Circuit

Auxiliary voltage U_H : AC 24, 42, 110, 230 V
DC 24 V

Voltage range of U_H
AC: 0.8 ... 1.1 U_N
DC: 0.85 ... 1.25 U_N

Nominal power consumption
AC: Approx. 2 VA
DC: Approx. 1 W

Frequency range: 45 ... 400 Hz

Output

Contacts

IL / SL 9151.12, MK 9151N.12: 2 x 1 changeover contact

Thermal current I_{th} : 4 A

Switching capacity

IL / SL 9151:

To AC 15

NO contact: 5 A / AC 230 V IEC/EN 60947-5-1

NC contact: 2 A / AC 230 V IEC/EN 60947-5-1

To DC 13: 2 A / DC 24 V IEC/EN 60947-5-1

MK 9151N:

To AC 15

NO contact: 3 A / AC 230 V IEC/EN 60947-5-1

NC contact: 1 A / AC 230 V IEC/EN 60947-5-1

To DC 13: 1 A / DC 24 V IEC/EN 60947-5-1

Electrical life

IL / SL 9151: IEC/EN 60947-5-1

To AC 15 at 1 A, AC 230 V: 2 x 10⁵ switching cycles

MK 9151N: IEC/EN 60947-5-1

To AC 15 at 1 A, AC 230 V: 1.5 x 10⁵ switching cycles

Short circuit strength

max. fuse rating: 4 A gG / gL IEC/EN 60947-5-1

Mechanical life: ≥ 30 x 10⁶ switching cycles

Technical Data

General Data

Operating mode: Continuous operation

Temperature range: Operation: - 20 ... + 60 °C

Storage: - 25 ... + 70 °C

Altitude: ≤ 2000 m

Clearance and creepage distances

Rated rated impulse voltage voltage / pollution degree IEC 60664-1

IL / SL 9151: 6 kV / 2 (at U_H = DC 24 V: 1 kV)

Input / Auxiliary Circuit: 6 kV / 2

Input / output circuit: 4 kV / 2 (at U_H = DC 24 V: 1 kV)

MK 9151N: 4 kV / 2

Input / Auxiliary Circuit: 4 kV / 2

Input / output circuit: 4 kV / 2

Auxiliary / output circuit: 4 kV / 2

A1-A2 (AC): 4 kV / 2

EMC
Electrostatic discharge: 8 kV (air) IEC/EN 61000-4-2

HF irradiation IEC/EN 61000-4-3

80 MHz ... 2.7 GHz: 10 V / m IEC/EN 61000-4-4

Fast transients: 2 kV IEC/EN 61000-4-4

Surge voltages

Between 1 kV IEC/EN 61000-4-5

wires for power supply: 2 kV IEC/EN 61000-4-5

Between wire and ground: 10 V IEC/EN 61000-4-6

HF wire guided: Limit value class B EN 55011

Interference suppression: Limit value class B EN 55011

Degree of protection

Housing: IP 40 IEC/EN 60529

Terminals: IP 20 IEC/EN 60529

Housing: Thermoplastic with V0 behaviour

according to UL subject 94

Vibration resistance: Amplitude 0.35 mm,

frequency 10 ... 55 Hz, IEC/EN 60068-2-6

20 / 060 / 04 IEC/EN 60068-1

Climate resistance: EN 50005

Terminal designation: EN 50005

Wire connection: IL / SL 9151:

2 x 2.5 mm² solid or

2 x 1.5 mm² stranded ferruled

DIN 46228-1/-2/-3/-4

0,6 mm

Min. cross section: 10 mm

Insulation of wires or sleeve length: 1 x 4 mm² solid or

MK 9151N: 1 x 2.5 mm² stranded ferruled or

2 x 1.5 mm² stranded ferruled

DIN 46228-1/-2/-3/-4

0.5 mm²

Min. cross section: 8 mm

Abisolierlänge der Leiter: 8 mm

Wire fixing: IL / SL 9151:

Flat terminals with self-lifting

clamping piece IEC/EN 60999-1

MK 9151: Box terminal with wire protection

Fixing torque: 0.8 Nm

Mounting: DIN rail IEC/EN 60715

Weight

IL 9151: Approx. 165 g

SL 9151: Approx. 192 g

MK 9151N: Approx. 180 g

Dimensions

Width x height x depth

IL 9151: 35 x 90 x 59 mm

SL 9151: 35 x 90 x 98 mm

MK 9151N: 22.5 x 90 x 98 mm

CCC-Data

Nominal voltage U_N : AC 24, 42, 110, 230 V

MK 9151N: DC 24 V

Switching capacity

To AC 15

NO contact: 1.5 A / AC 230 V IEC/EN 60947-5-1

Info Technical data that is not stated in the CCC-Data, can be found in the technical data section.

Standard Type

IL 9151.12 2 ... 450 kΩ AC 230 V 0.2 ... 20 s

- Article number: 0049135
- Settable response value: 2 ... 450 kΩ
 - Auxiliary voltage U_H : AC 230 V
 - Response and release delay: 0.2 ... 20 s
 - 2 output relays with 1 changeover contact each
 - With safe separation
 - Width: 35 mm

SL 9151.12 2 ... 450 kΩ AC 230 V 0.2 ... 20 s

- Article number: 0051552
- Settable response value: 2 ... 450 kΩ
 - Auxiliary voltage U_H : AC 230 V
 - Response and release delay: 0.2 ... 20 s
 - 2 output relays with 1 changeover contact each
 - With safe separation
 - Width: 35 mm

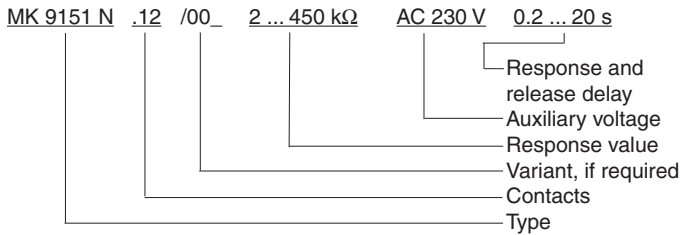
MK 9151N.12 2 ... 450 kΩ AC 230 V 0.2 ... 20 s

- Article number: 0054100
- Settable response value: 2 ... 450 kΩ
 - Auxiliary voltage U_H : AC 230 V
 - Response and release delay: 0.2 ... 20 s
 - 2 output relays with 1 changeover contact each
 - Width: 22.5 mm

Variants

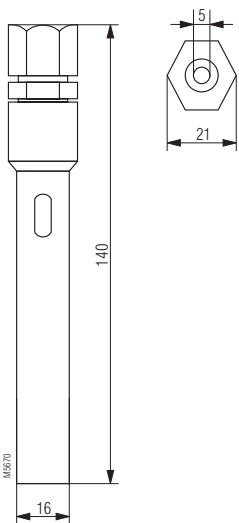
- MK 9151N.12/001: Time delay, when level drops under setting value
- MK 9151N.12/002: Time delay, when level rises over setting value

Ordering example for variants



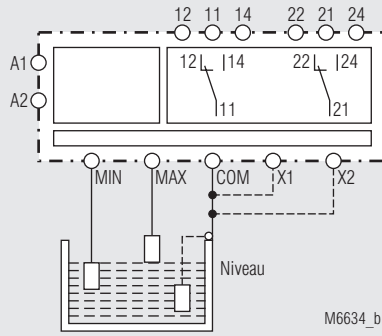
Accessories

- OA 5640: Standard probe
Article number: 0016045

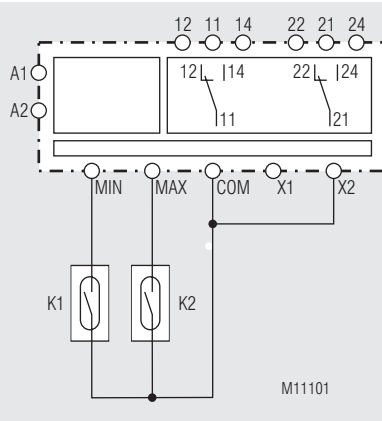


Stainless steel immersion electrode,
Temperature range: 0 ... + 60 °C,
Weight: Approx. 0.1 kg
Wire connection: 1.5 mm² stranded wire with sleeve without plastic collar
Stripping length: 10 mm
Fixing torque: 0.6 Nm

Application Example



IL 9151, SL 9151 with safe separation according to IEC/EN 61140, IEC/EN 60947-1



Application as contact protection relay, e.g. for two reed contact switches (K1, K2).